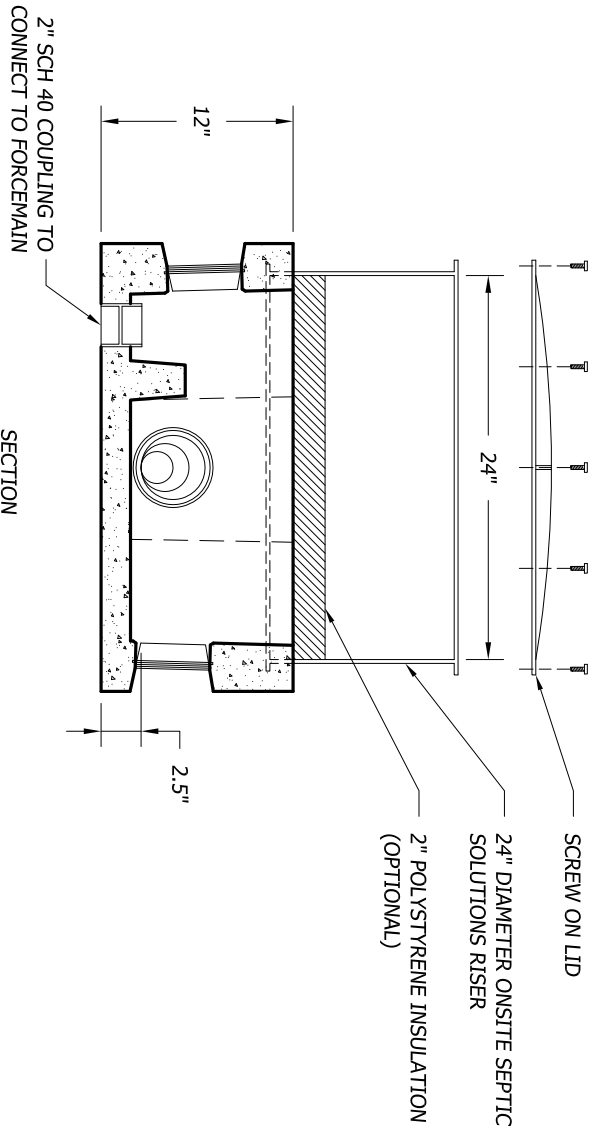


PLAN



SECTION

5 OUTLET DISTRIBUTION BOX WITH FORCEMAIN

1"=1'-0"

NOTES:
1. THE DISTRIBUTION BOX SHOULD BE CHECKED FOR LEVEL ANNUALLY AND ADJUSTED AS NEEDED.

SPECIFICATIONS:

1. NOT DESIGNED FOR TRAFFIC AREAS
2. CONCRETE MINIMUM STRENGTH 5000 PSI @ 28 DAYS
3. 4" LOW PRESSURE PIPE SEALS
4. ONSITE SEPTIC SOLUTIONS RISERS ADJUSTABLE TO GRADE
5. CONCRETE = .07 YARDS = 280 LBS.
6. ALL DIMENSIONS SHOW ARE PER ONSITE SEPTIC SOLUTIONS, LLC PRODUCTS 2011.



OnSite
SEPTIC SOLUTIONS, LLC

BUSINESS PARK AT CAMBRIDGE
CAMBRIDGE, VT. 05444
paul@onsitesephticsolutions.biz
TEL. 802-644-5500