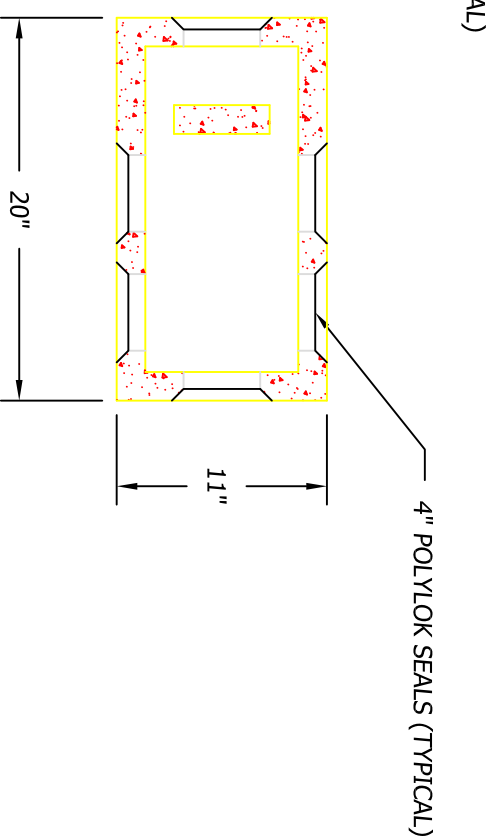
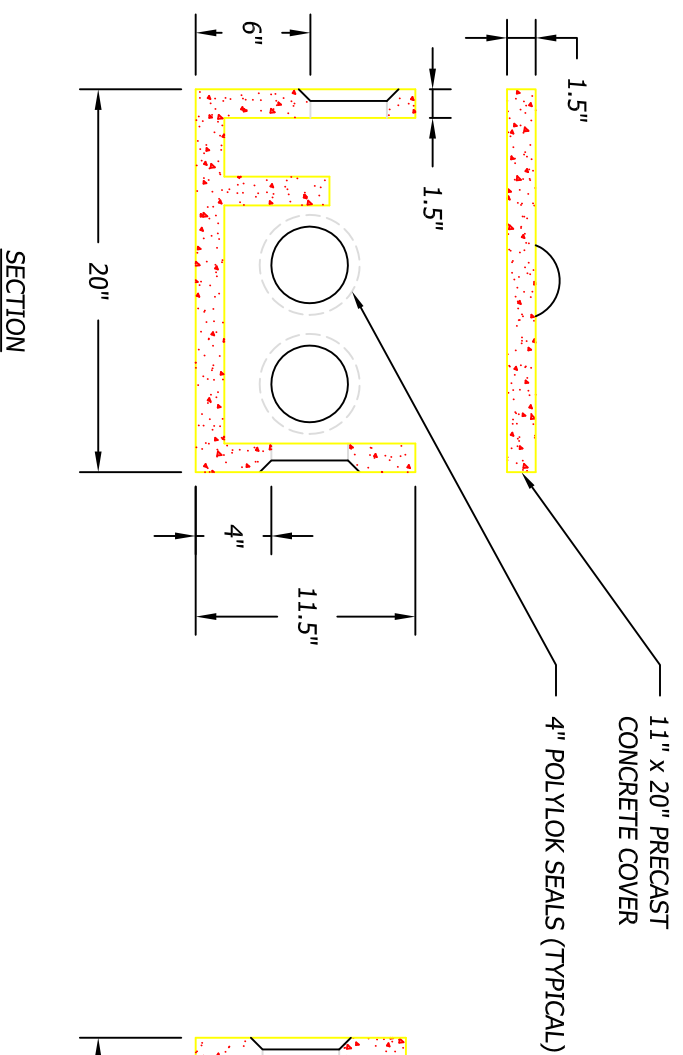


- SPECIFICATIONS:**
1. NOT DESIGNED FOR TRAFFIC AREAS
 2. ALL DIMENSIONS SHOW ARE PER ONSITE SEPTIC SOLUTIONS, LLC PRODUCTS 2009.

- NOTES:**
1. FLOW EQUALIZERS SHOULD BE INSTALLED ON ALL OUTLETS.
 2. THE DISTRIBUTION BOX SHOULD BE CHECKED FOR LEVEL ANNUALLY AND THE EQUALIZERS ADJUSTED AS NEEDED.
 3. AN ACCESS RISER TO THE SURFACE MUST BE INSTALLED ON THE DISTRIBUTION BOX.



DISTRIBUTION BOX

1"=1'-0"



BUSINESS PARK AT CAMBRIDGE
 CAMBRIDGE, VT. 05444
 paul@onsitesepoticsolutions.biz
 TEL. 802-644-5500