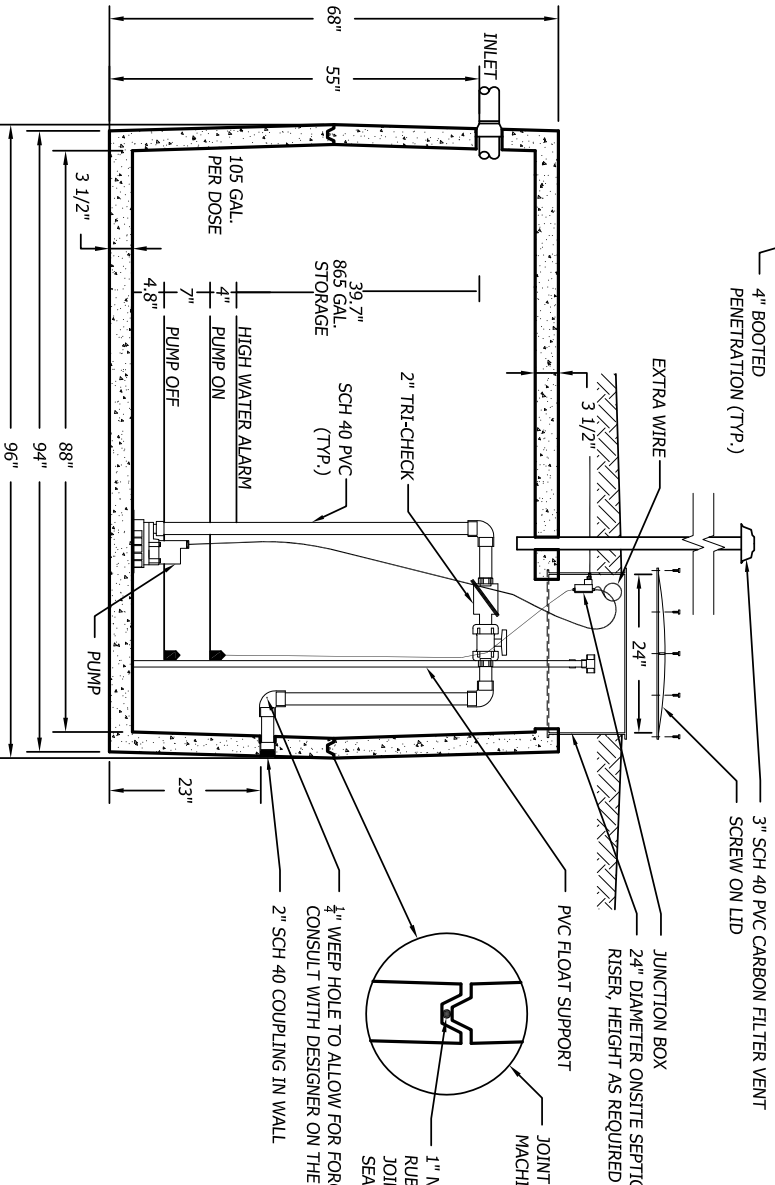


PLAN



SECTION

- NOTES:**
1. FOR PUMP SPECIFICATIONS REFER TO PUMP DESIGN BRIEF.
 2. THE CONTRACTOR AND SUPPLIER SHALL COORDINATE POWER REQUIREMENTS PRIOR TO ORDERING OF THE PUMP STATION.
 3. PER ONSITE SEPTIC SOLUTIONS, LLC (SUPPLIER), THE TOP OF THIS TANK SHALL BE BURIED NO DEEPER THAN 3 FEET BELOW FINISHED GRADE. IF A DEEPER BURIAL DEPTH IS NEEDED SEE SUPPLIER FOR SIMILAR TANKS THAT CAN BE BURIED DEEPER THAN 3 FEET.
 4. REFER TO THE PUMP STATION DESIGN BRIEF OR CONSULT THE DESIGNER ON THE NEED FOR A WEEP HOLE OR NOT.
- SPECIFICATIONS:**
1. TANK TO MEET ASTM 1227C REQUIREMENTS
 2. MID SEAM CONSTRUCTION
 3. JOINT SEALANT IS BUTYL RUBBER MASTIC TYPICAL OF CONSEAL CS-102.
 4. NOT DESIGNED FOR TRAFFIC AREAS
 5. ALL DIMENSIONS SHOW ARE PER ONSITE SEPTIC SOLUTIONS, LLC PRODUCTS 2011.
- SPECIAL NOTE:**
THIS TANK IS VACUUM TESTED PER ASTM 1227C STANDARDS AT ON-SITE SEPTIC SOLUTIONS, LLC PRODUCTS PRIOR TO BEING SHIPPED.

VACUUM TESTED 1,000 GALLON MID SEAM PRECAST CONCRETE PUMP STATION

1/2"=1'-0"



BUSINESS PARK AT CAMBRIDGE
CAMBRIDGE, VT. 05444
paul@onsitesepanticsolutions.biz
TEL. 802-644-5500